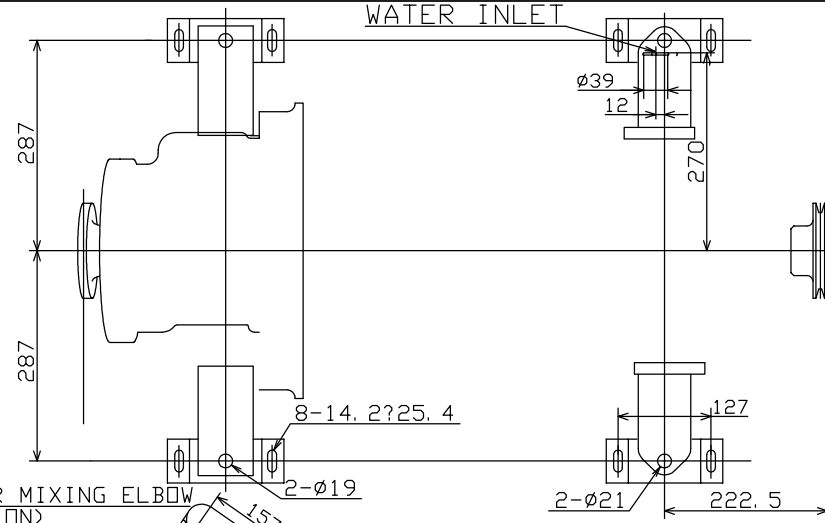
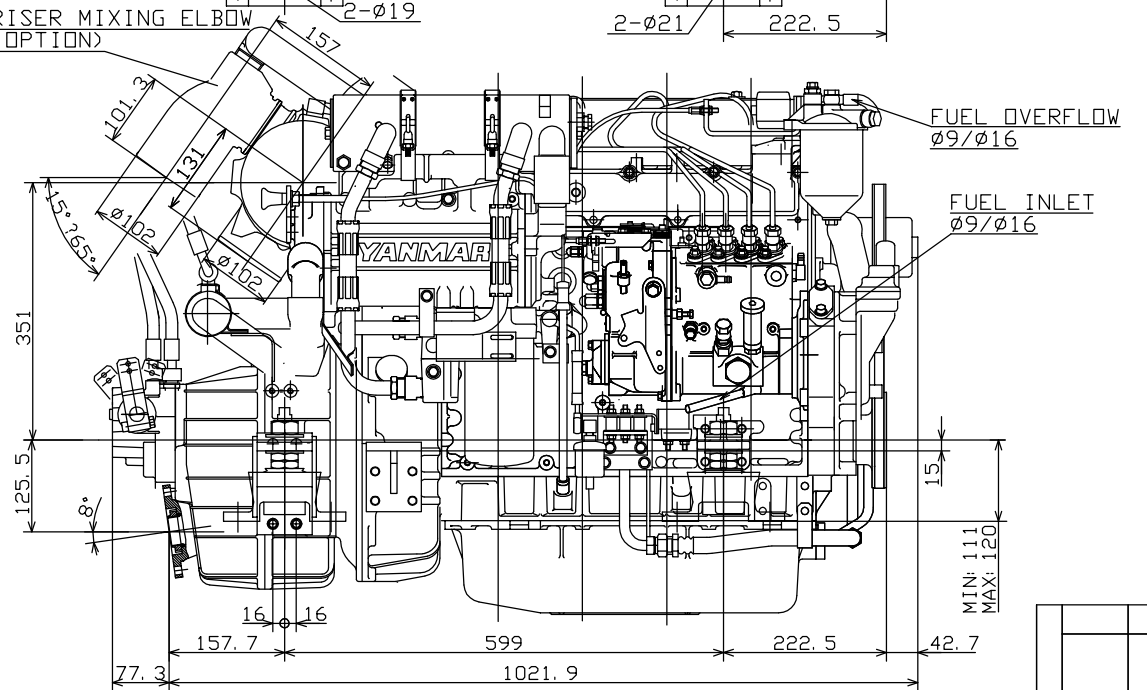
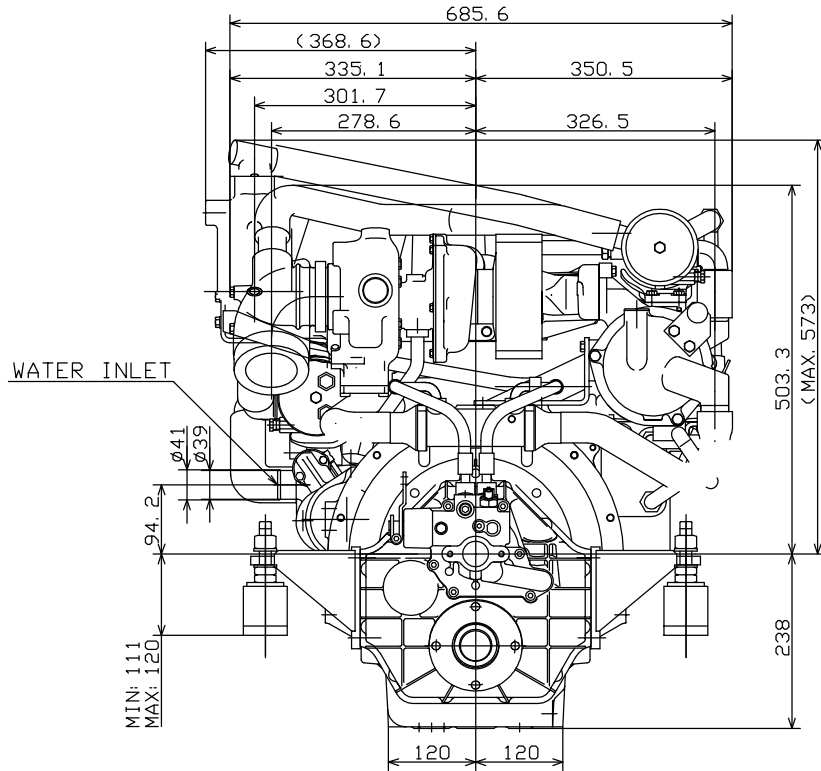


DETAIL OF PULLEY<1/2.5>

DETAIL OF COUPLING<1/2.5>



RISER MIXING ELBOW
(OPTION)



NOTES

- 1) DWG. SHOWS MOUNTING BLOCKS AT COMPRESSED HEIGHT (COMPRESSED BY APPROX 5mm).
- 2) MOUNT P/#: 119175-08440 (BARRY)
- 3) ALL DIMENSIONS ARE IN MILLIMETERS

Scale		1/5 (1/2.5)
4LHA-DTP WITH ZF45A2		
YANMAR MARINE INTERNATIONAL 24 April 2005		B2-19173-0360 A2 (C)

A

B

C

D